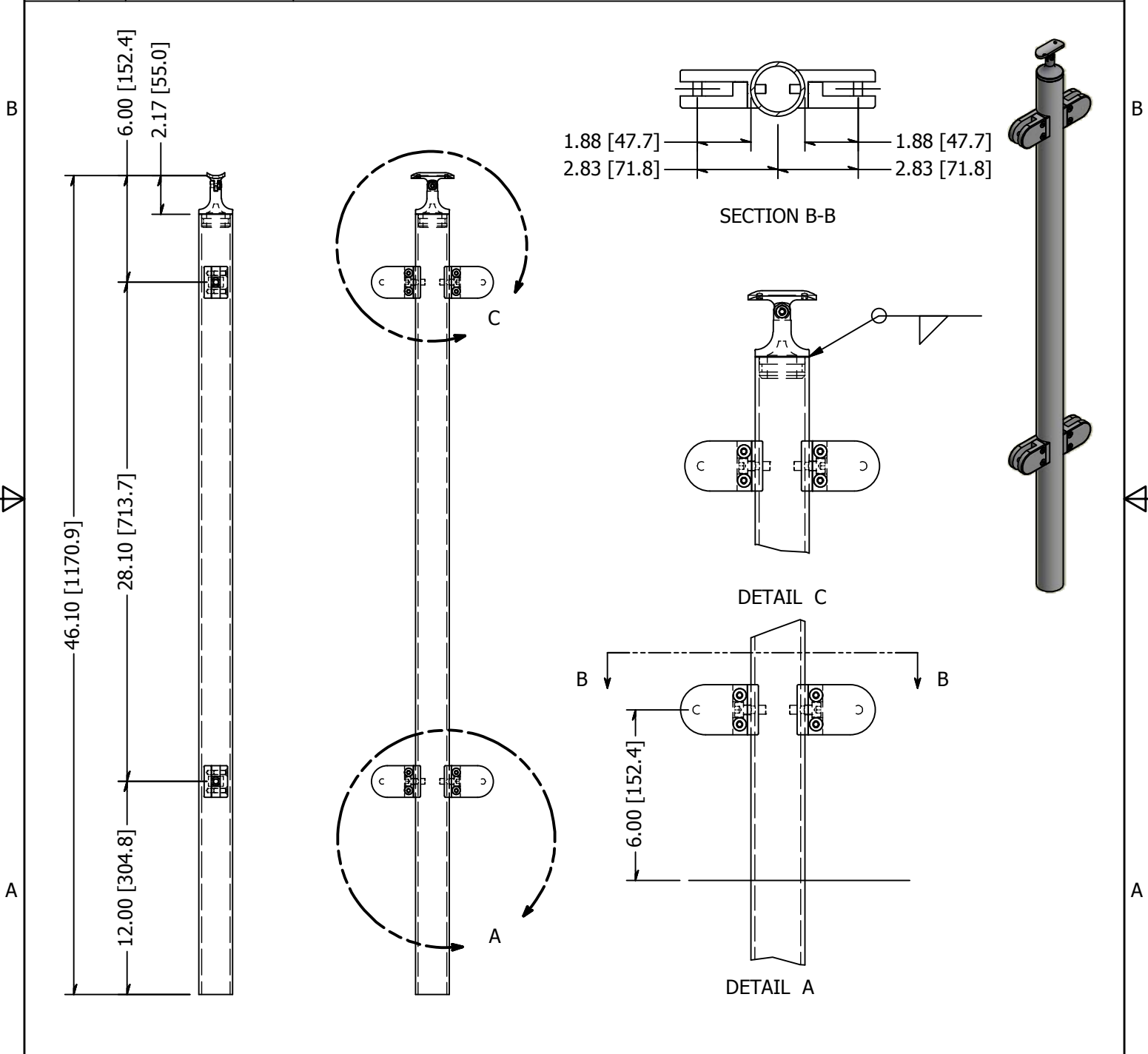




PARTS LIST

ITEM	QTY	PART NUMBER	DESCRIPTION
1	1	LG31942MEMA	Intermediate Post, Stainless Steel, 1-1/2 Inch Pipe (1.90 OD) Sch 40, 42 High, Brushed Satin Finish, Grade 316, Embed Mnt, Assm
2	4	GR310R.4-R	Clip, Stainless Steel, Panel Mounting, Radius Base for 1-1/2" Pipe, Round Type, #4 Satin Finish, Type 316
3	4	SHC3NM08C-0020	Screw, Stainless Steel, M8-1.25 x 20mm, Socket Head Cap Screw, A4-70
4	1	SS507	SADDLE, SWIVEL, CAST W/ HOLES



<p>TOLERANCE</p> <p>X.X..... = ± .060</p> <p>X.XX..... = ± .030</p> <p>X.XXX..... = ± .010</p> <p>XX°..... = ± 1°</p> <p>UNLESS OTHERWISE NOTED</p>	MATERIAL:	316 Stainless			DESCRIPTION:	Intermediate Post, Stainless Steel, 1-1/2 Inch Pipe (1.90 OD) Sch 40, 42 High, Brushed Satin Finish, Grade 316, Embed Mount, Rnd	
	FINISH:	Satin Brushed		DATE:	4/20/2015	REV:	1
	WEIGHT:	15.62 lbmass		DRAWN BY:	T. Kolbach		
					ITEM NUMBER:	LG31942BMEM.4	
						<p>WAGNER</p> <p>COLLABORATIVE METAL WORKS</p>	

