

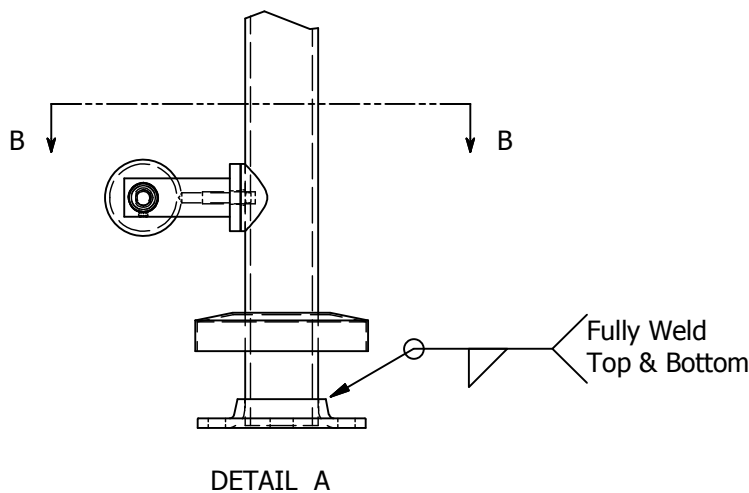
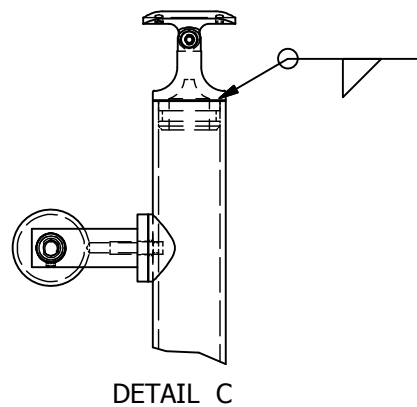
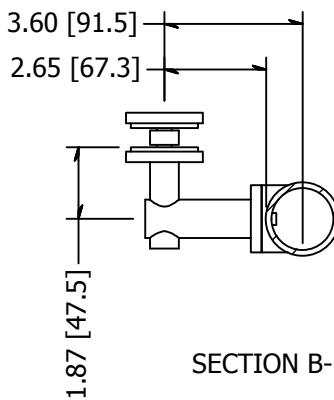
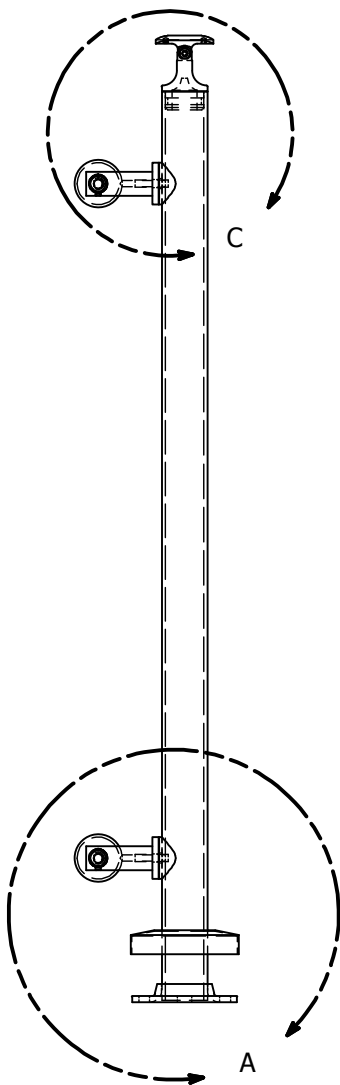
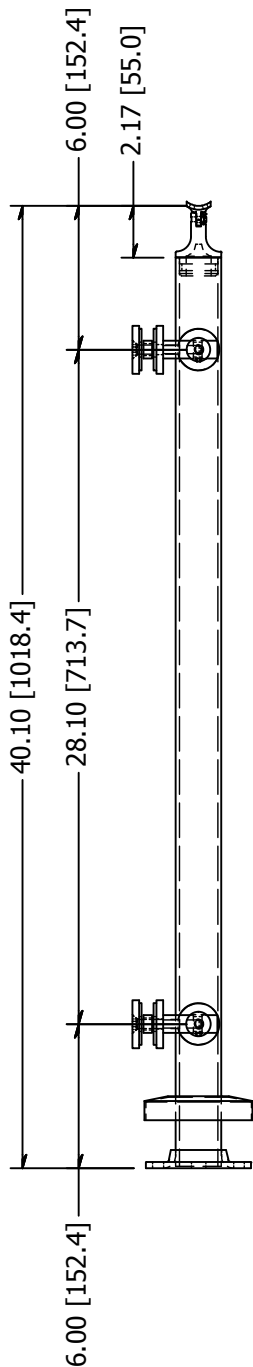


PARTS LIST

ITEM	QTY	PART NUMBER	DESCRIPTION
1	1	LG31942ESMA	End Post, Stainless Steel, 1-1/2 Inch Pipe (1.90 OD) Sch 40, 42 High, Brushed Satin Finish, Grade 316, Surface Mount, Post Assm
2	1	2077.316.4	FLANGE SS SNAPON COVER 1.90 316 #4
3	2	LXTB51-1	Point Fitting, Stainless Steel, 51 mm Head, 1 Point, Tubular Body, Brushed Satin Finish, Grade 316, 0.50 Inch Glass
4	1	SS507	SADDLE, SWIVEL, CAST W/ HOLES

B

B



A

A

<p>TOLERANCE</p> <p>X.X..... = ± .060</p> <p>X.XX..... = ± .030</p> <p>X.XXX..... = ± .010</p> <p>XX°..... = ± 1°</p> <p>UNLESS OTHERWISE NOTED</p>	<p>MATERIAL:</p> <p>316 Stainless</p>	<p>DESCRIPTION:</p> <p>End Post, Stainless Steel, 1-1/2 Inch Pipe (1.90 OD) Sch 40, 42 High, Brushed Satin Finish, Grade 316, Surface Mount, 2-Point</p>		
	<p>FINISH:</p> <p>Satin Brushed</p>	<p>DATE:</p> <p>4/20/2015</p>	<p>REV:</p> <p>1</p>	<p>WAGNER</p>
	<p>WEIGHT:</p> <p>14.15 lbmass</p>	<p>DRAWN BY:</p> <p>T. Kolbach</p>	<p>ITEM NUMBER:</p> <p>LG31942CESM.4</p>	

