

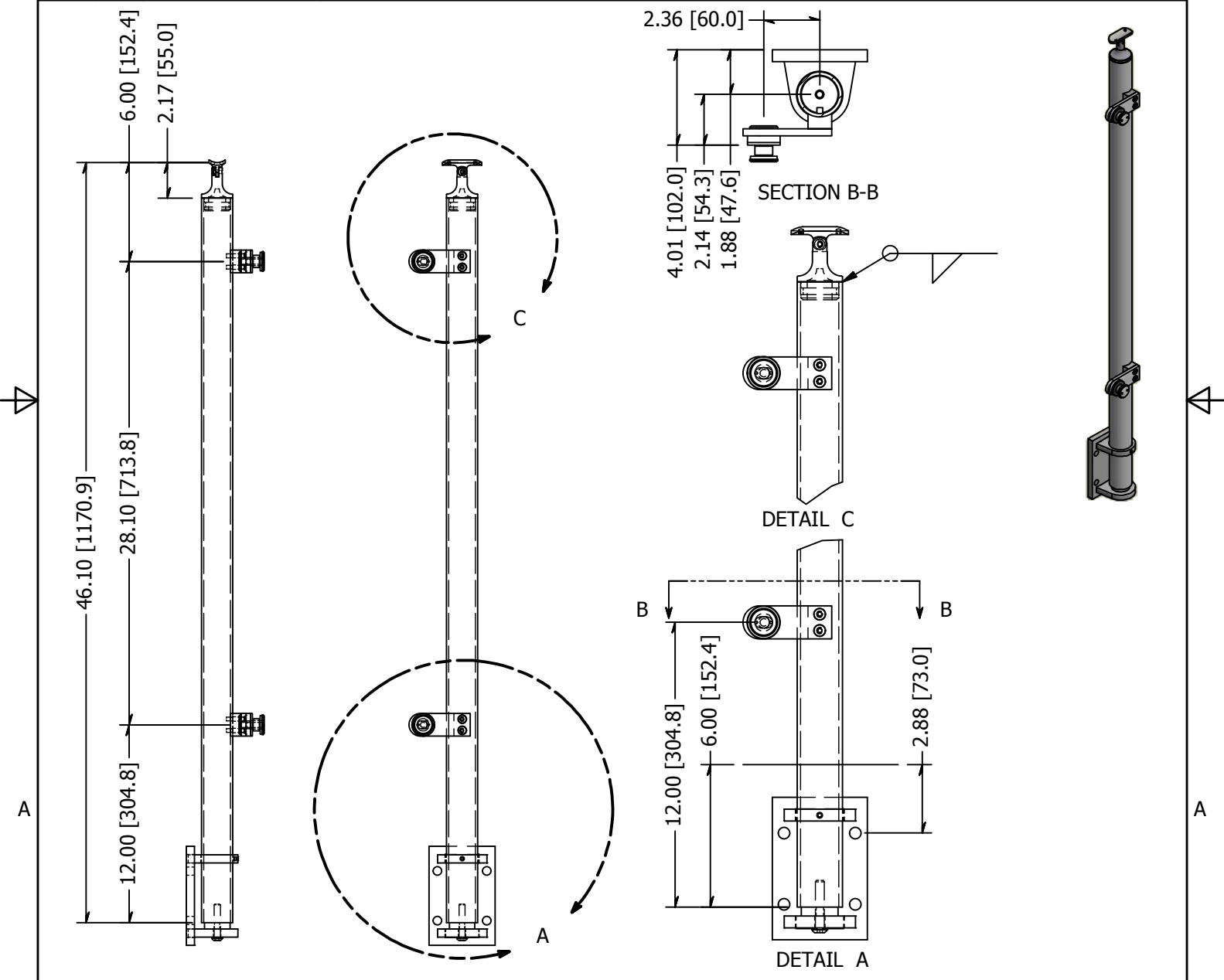


PARTS LIST

ITEM	QTY	PART NUMBER	DESCRIPTION
1	1	LG31942FFMA	Post, Stainless Steel, 1-1/2 Inch Pipe (1.90 OD) Sch 40, 42 High, Brushed Satin Finish, Grade 316, Fascia Mount, Post Assembly
2	1	WR31900FA	ASSY, FASCIA MOUNT POST BRACKET
3	1	BAH3N3816-0200	SCREW, SS, 3/8-16 X 2.00 Inch, Button, Allen Head
4	2	LXFP30-1	Point Fitting, Stainless Steel, 30 mm Head, 1 Point, Flat Plate, Brushed Satin Finish, Grade 316, 0.50 Inch Glass
5	2	LXFP30-1.90	Point Fitting, Stainless Steel, 1.90" OD Adapter, Brushed Satin Finish, Grade 316, 0.50 Inch Glass
6	4	FAH3NM06C-0030	Screw, Stainless Steel, M6-1.0 x 30mm, Socket Flat Head Machine Screw, A4-70
7	1	SS507	SADDLE, SWIVEL, CAST W/ HOLES

B

B



A

A

<p><b>TOLERANCE</b></p> <p>X.X..... = ± .060</p> <p>X.XX..... = ± .030</p> <p>X.XXX..... = ± .010</p> <p>XX°..... = ± 1°</p> <p>UNLESS OTHERWISE NOTED</p>	<p>MATERIAL:</p> <p>316 Stainless</p>	<p>DESCRIPTION:</p> <p>End Post, Stainless Steel, 1-1/2 Inch Pipe (1.90 OD) Sch 40, 42 High, Brushed Satin Finish, Grade 316, Fascia Mount, Flat Plate</p>		
	<p>FINISH:</p> <p>Satin Brushed</p>	<p>DATE:</p> <p>4/20/2015</p>	<p>REV:</p> <p>1</p>	<p>WAGNER</p> <p>COLLABORATIVE METAL WORKS</p>
	<p>WEIGHT:</p> <p>17.75 lbmass</p>	<p>DRAWN BY:</p> <p>T. Kolbach</p>		
	<p>ITEM NUMBER:</p> <p>LG31942DEFM.4</p>			

