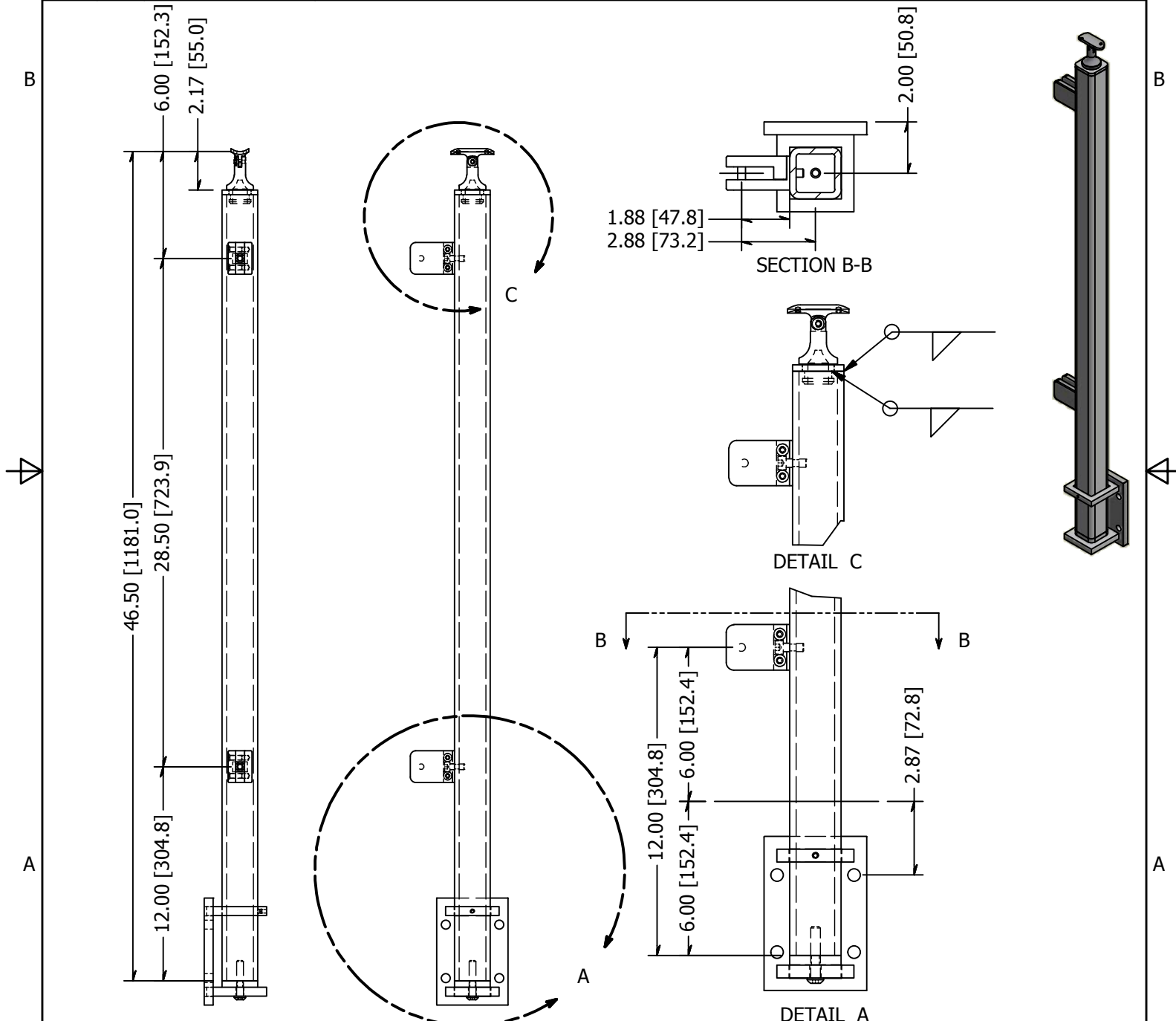




PARTS LIST

ITEM	QTY	PART NUMBER	DESCRIPTION
1	1	LG32242EFMA	End Post, Stainless Steel, 2.00 Inch Square x 0.25 Inch Wall, 42 High, Brushed Satin Finish, Grade 316, Fascia Mount, Post Assm
2	1	LG322FM	Flange, Stainless Steel, Fascia Mount For 2 Inch Square Post, Satin Brushed Finish, Type 316
3	1	BAH3N3816-0200	SCREW, SS, 3/8-16 X 2.00 Inch, Button, Allen Head
4	2	GR310F.4	Clip, Stainless Steel, Panel Mounting, Flat Base, Square Type, #4 Satin Finish, Type 316
5	2	SHC3NM08C-0020	Screw, Stainless Steel, M8-1.25 x 20mm, Socket Head Cap Screw, A4-70
6	1	SS507	SADDLE, SWIVEL, CAST W/ HOLES



<p>TOLERANCE</p> <p>X.X..... = ± .060</p> <p>X.XX..... = ± .030</p> <p>X.XXX..... = ± .010</p> <p>XX°..... = ± 1°</p> <p>UNLESS OTHERWISE NOTED</p>	<p>MATERIAL:</p> <p>316 Stainless</p>	<p>DESCRIPTION:</p> <p>End Post, Stainless Steel, 2.00 Inch Square x 0.25 Inch Wall, 42 High, Brushed Satin Finish, Grade 316, Fascia Mount, Square</p>	
	<p>FINISH:</p> <p>Satin Brushed</p>	<p>DATE:</p> <p>4/20/2015</p>	<p>REV:</p> <p>1</p>
	<p>WEIGHT:</p> <p>29.99 lbmass</p>	<p>DRAWN BY:</p> <p>T. Kolbach</p>	<p>WAGNER</p> <p>COLLABORATIVE METAL WORKS</p>
	<p>ITEM NUMBER:</p> <p>LG32242AEFM.4</p>		

