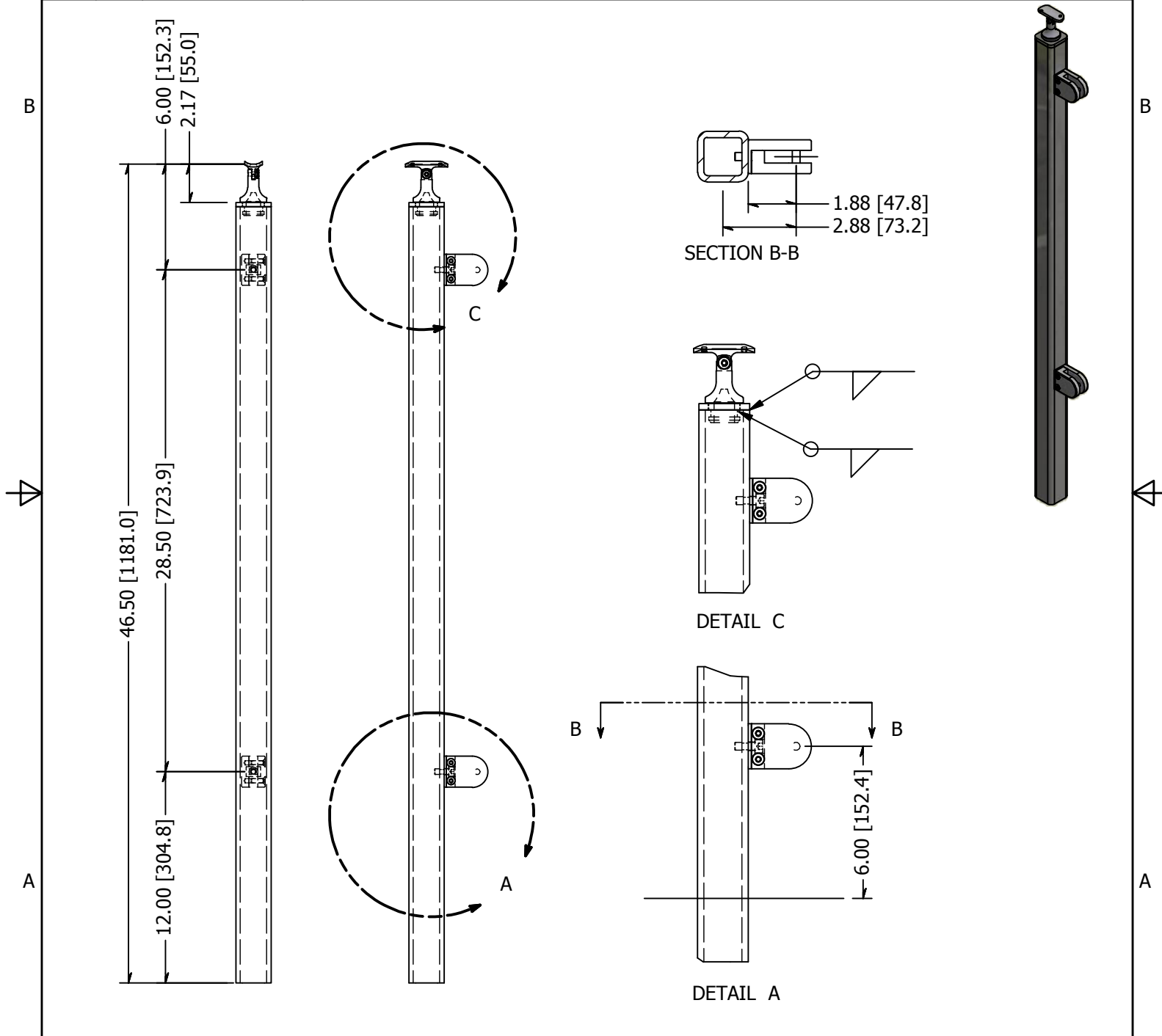




PARTS LIST

ITEM	QTY	PART NUMBER	DESCRIPTION
1	1	LG32242EEMA	End Post, Stainless Steel, 2.00 Inch Square x 0.25 Inch Wall, 42 High, Brushed Satin Finish, Grade 316, Embed Mount, Post Assm
2	2	GR310F.4-R	Clip, Stainless Steel, Panel Mounting, Flat Base, Round Type, #4 Satin Finish, Type 316
3	2	SHC3NM08C-002 0	Screw, Stainless Steel, M8-1.25 x 20mm, Socket Head Cap Screw, A4-70
4	1	SS507	SADDLE, SWIVEL, CAST W/ HOLES



<p><b>TOLERANCE</b></p> <p>X.X..... = ± .060</p> <p>X.XX..... = ± .030</p> <p>X.XXX..... = ± .010</p> <p>XX°..... = ± 1°</p> <p>UNLESS OTHERWISE NOTED</p>	MATERIAL:	DESCRIPTION:		
	316 Stainless	End Post, Stainless Steel, 2.00 Inch Square x 0.25 Inch Wall, 42 High, Brushed Satin Finish, Grade 316, Embed Mount, Round		
	FINISH:	DATE:	REV:	
	Satin Brushed	4/20/2015	1	
WEIGHT:	DRAWN BY:		COLLABORATIVE METAL WORKS	
24.06 lbmass	T. Kolbach		<p>ITEM NUMBER:</p> <p><b>LG32242BEEM.4</b></p>	

