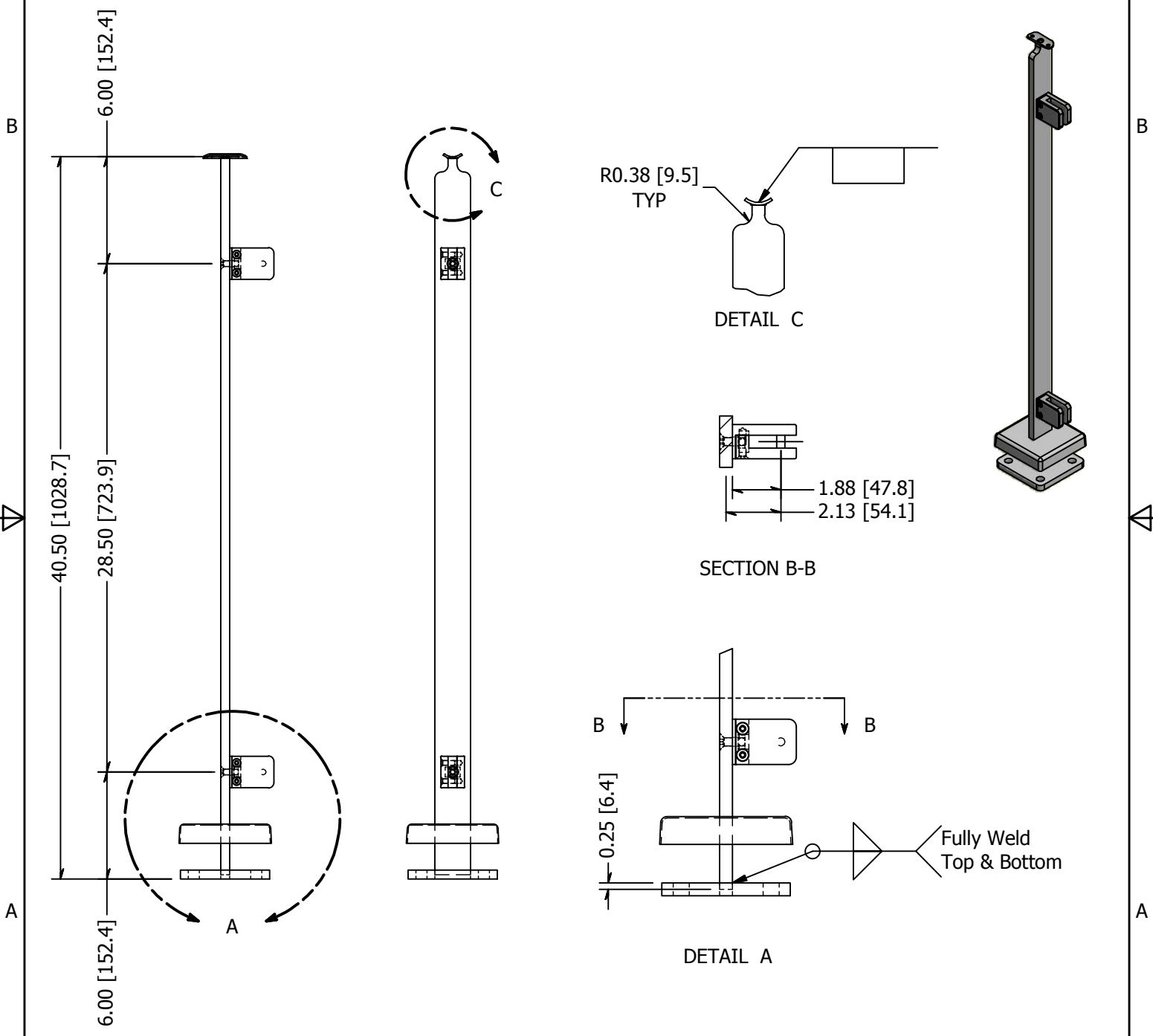




PARTS LIST

ITEM	QTY	PART NUMBER	DESCRIPTION
1	1	LG32542ESMA	End Post, Stainless Steel, 2.00 Inch x 0.50 Inch, 42 High, Brushed Satin Finish, Grade 316, Surface Mount, Post Assembly
2	2	GR310F.4	Clip, Stainless Steel, Panel Mounting, Flat Base, Square Type, #4 Satin Finish, Type 316
3	2	FAH3NM08C-0025	Screw, Stainless Steel, M8-1.25 x 25mm, Socket Flat Head Machine Screw, A4-70
4	2	NHF3NM08C-065	Nut, Stainless Steel, M8-1.25, Finished Hex Nut, A4



<p><b>TOLERANCE</b></p> <p>X.X..... = ± .060</p> <p>X.XX..... = ± .030</p> <p>X.XXX..... = ± .010</p> <p>XX°..... = ± 1°</p> <p>UNLESS OTHERWISE NOTED</p>	MATERIAL:	DESCRIPTION:		
	316 Stainless	End Post, Stainless Steel, 2.00 Inch x 0.50 Inch, 42 High, Brushed Satin Finish, Grade 316, Surface Mount, Square Clips		
	FINISH:	DATE:	REV:	
	Satin Brushed	4/20/2015	1	
WEIGHT:	DRAWN BY:		COLLABORATIVE METAL WORKS	
18.03 lbmass	T. Kolbach		ITEM NUMBER:	
			LG32542AESM.4	

