

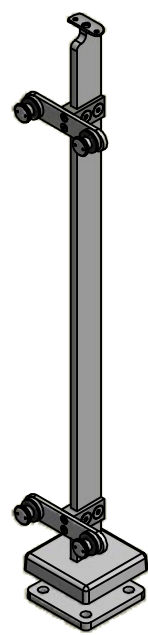
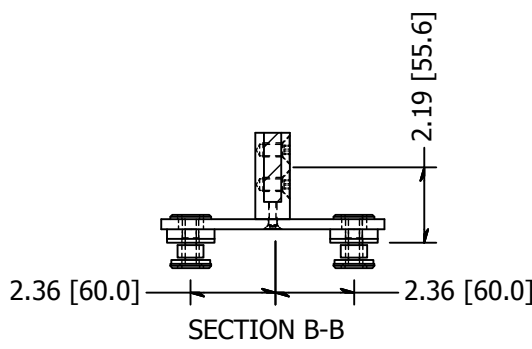
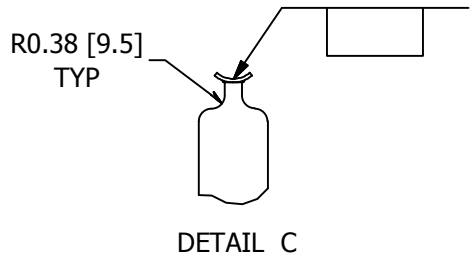
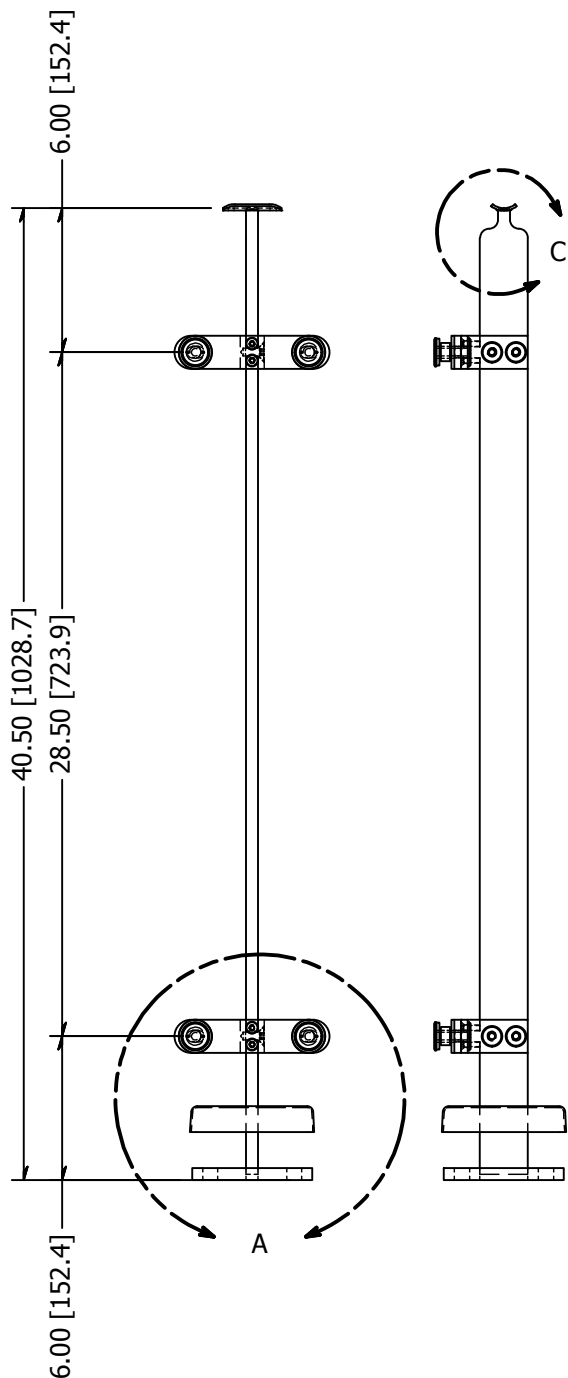


PARTS LIST

ITEM	QTY	PART NUMBER	DESCRIPTION
1	1	LG32542FSMA	Post, Stainless Steel, 2.00 Inch x 0.50 Inch, 42 High, Brushed Satin Finish, Grade 316, Surface Mount, Post Assembly
2	2	LXFP30-2	Point Fitting, Stainless Steel, 30 mm Head, 2 Point, Flat Plate, Brushed Satin Finish, Grade 316, 0.50 Inch Glass
3	2	LXFP30-BLADE	Point Fitting, Stainless Steel, Blade Adapter, Brushed Satin Finish, Grade 316, 0.50 Inch Glass
4	4	FAH3NM06C-0020	Screw, Stainless Steel, M6-1.0 x 20mm, Socket Flat Head Machine Screw, A4-70
5	4	FAH3NM10C-0020	Screw, Stainless Steel, M10-1.50 x 20mm, Socket Flat Head Machine Screw, A4-70

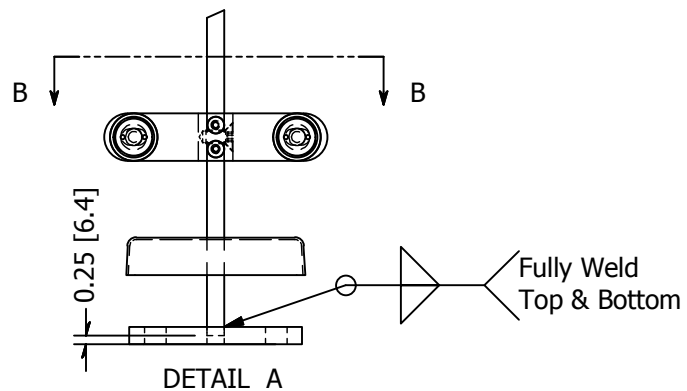
B

B



A

A



<p>TOLERANCE</p> <p>X.X..... = ± .060</p> <p>X.XX..... = ± .030</p> <p>X.XXX..... = ± .010</p> <p>XX°..... = ± 1°</p> <p>UNLESS OTHERWISE NOTED</p>	<p>MATERIAL:</p> <p>316 Stainless</p>	<p>DESCRIPTION:</p> <p>Intermediate Post, Stainless Steel, 2.00 Inch x 0.50 Inch, 42 High, Brushed Satin Finish, Grade 316, Surface Mount, Flat Plate</p>		
	<p>FINISH:</p> <p>Satin Brushed</p>	<p>DATE:</p> <p>4/20/2015</p>	<p>REV:</p> <p>1</p>	<p>WAGNER</p> <p>COLLABORATIVE METAL WORKS</p>
	<p>WEIGHT:</p> <p>19.13 lbmass</p>	<p>DRAWN BY:</p> <p>T. Kolbach</p>	<p>ITEM NUMBER:</p> <p>LG32542DMSM.4</p>	

