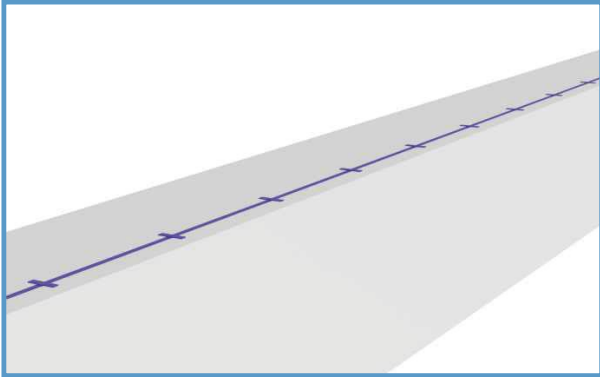
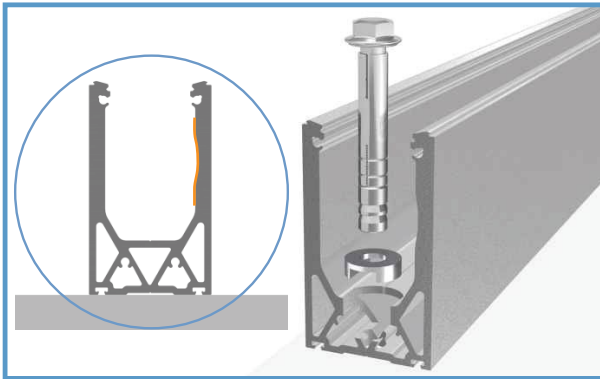


TOP FIXED BASE RAIL INSTALLATION INSTRUCTIONS

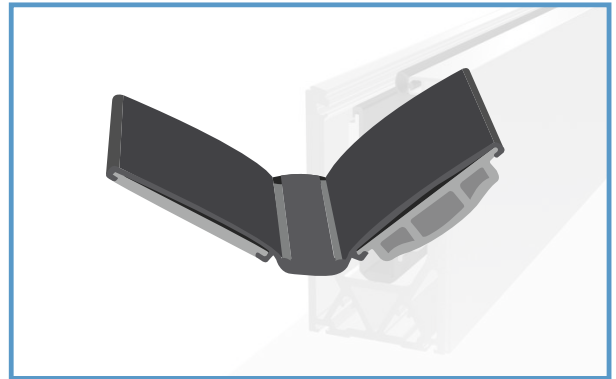
1 Mark position of holes as per your base shoe and drill holes.



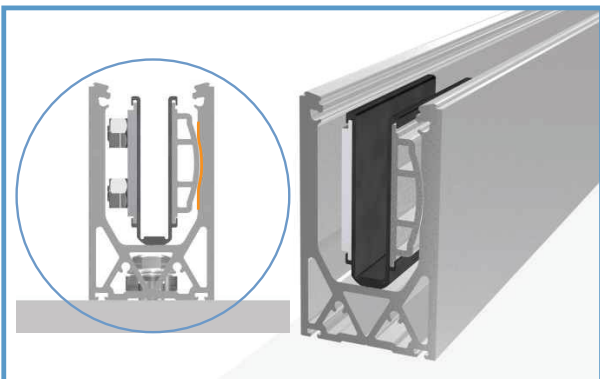
2 Position base shoe, with the curved surface way from the side the installer is located and secure bolts with torque.



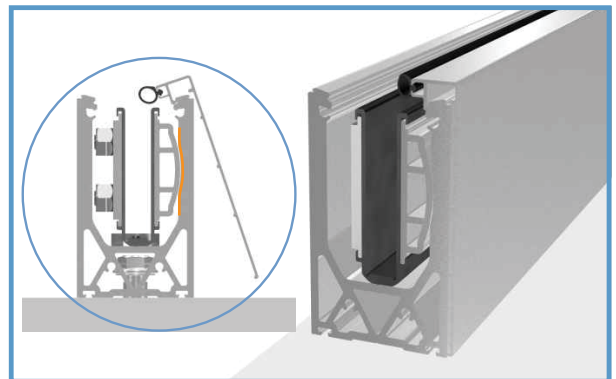
3 Relax the rubber in the mechanism by opening and bending backwards. Let sit for a few minutes for easier installation.



4 Install glass grips. Curved edge of grip against curved feature on shoe.

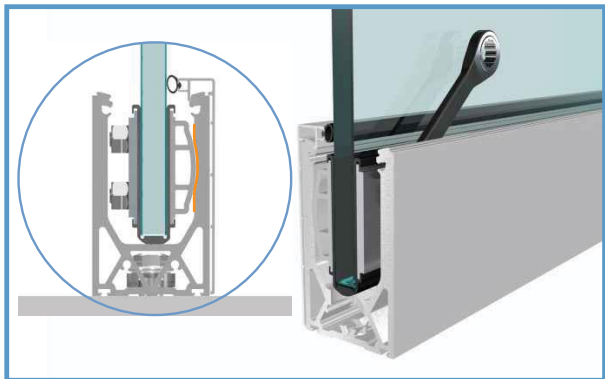


5 Fit cladding with the smaller gasket on the outer side (curve and rocker side) of base shoe.

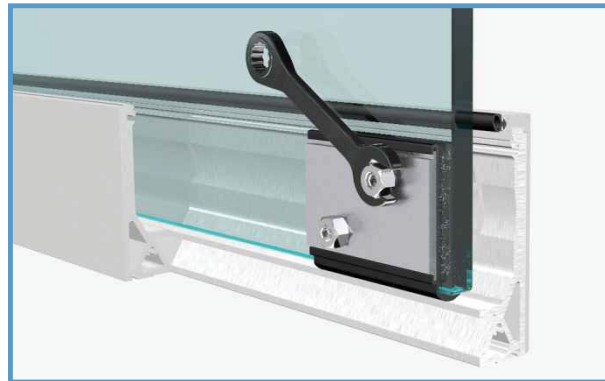


 Designates curved edge of shoe.

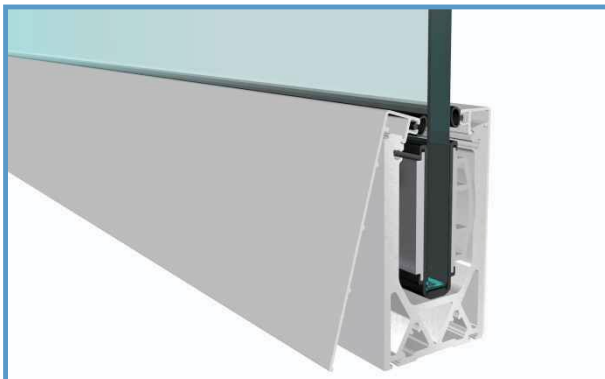
- 6 Fit glass. Position glass vertically, then wind nuts to secure.



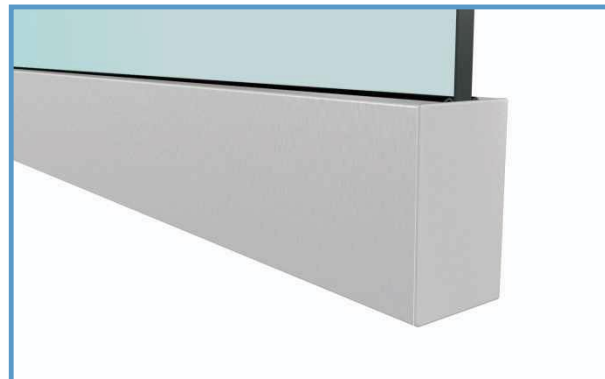
- 7 If further adjustment required, loosen and tighten nuts to tilt glass.



- 8 Snap cladding on the inner side of base shoe.



- 9 Fit end caps on the two ends of base shoe using adhesive or 2-sided VHB tape.



- 10 Cut glass spacers to size. Fit spacers between glass panels.

