

DESIGN SPECIFICATIONS

Lumengear™ System Power Component Options

More Lumenrail® Components for Life Safety and Light



SCAN QR CODE
for technical information,
downloads, instructions, and
system configuration guides

4X NEMA ENCLOSURES

\$ Standard: NEMA 4X, IP67,
Molded Polycarbonate
10.03 x 7.08 x 4.92



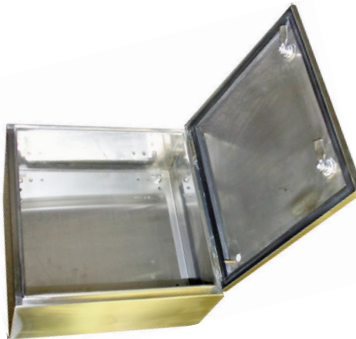
\$ Compact: NEMA 4X, IP67,
Molded Polycarbonate
LULP1025 25W Driver Only
5.12 x 5.12 x 2.36



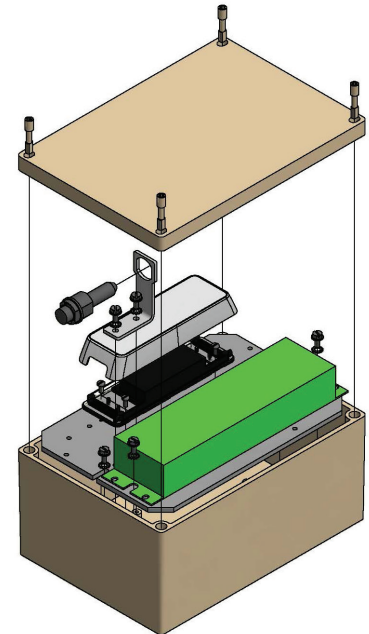
\$\$ Option: NEMA 4X, IP65
Painted Steel
11.81 x 9.84 x 5.91



\$\$\$ Option: NEMA 4X IP65,
Stainless Steel
11.81 x 9.84 x 5.91



Example:
Lumenrail Driver, Enclosure
and Options Assembly



LUENCLOSURE4XP
LUDRIVERDM100WACE +
LUCNTDALIELD
LUFUSEKIT

All of the Lumenrail® Architectural System supplied enclosures are ETL approved to hold:

- One or two standard 100W drivers EXCEPT compact 25W option one only, OR
- One standard 100W and one Dali or DMX controller OR
- One Made in the USA 100W driver AND
- One fuse kit per/driver OR
- One surge kit per/enclosure

All of the Lumengear™ system assemblies are **UL8750** listed for use with the combinations above, when supplied with a Lumenrail system.
Not all options apply to all products, please verify compatibility with the factory.



Intertek

*All electrical connections
to be made by a qualified
electrician in accordance
with all nation, state and
local electrical codes.*

@wagnercompanies

WAGNER
Architectural Systems

888-243-6914 // rfq@mailwagner.com
10600 West Brown Deer Road // Milwaukee, WI 53224, USA

© 2020 R&B Wagner, Inc. All Rights Reserved.
WagnerArchitectural.com
LUSY GUIDE R3

DESIGN SPECIFICATIONS

Lumengear™ System Power Component Options

More Lumenrail® Components for Life Safety and Light



SCAN QR CODE for technical information, downloads, instructions, and system configuration guides

Class II Drivers and Dimming Protocol Controllers

\$ Standard: 100W, 0-10V PWM Dimming



\$ Compact: 25W, Non-Dimming



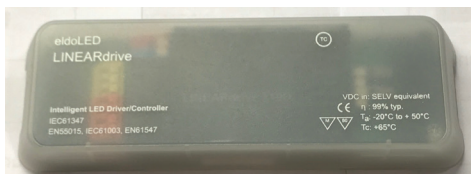
\$\$\$ Lumenpost™ Integrated: 100W, 1-10V PWM Dimming



\$\$ Made in USA Option: 100W, 0-10V PWM Dimming



\$\$\$ Dimming Controllers: DALI or DMX, one per driver



Options

Fusing one per driver



Surge Protection one per enclosure



All of the Lumengear™ system assemblies are **UL8750** listed, when supplied with a Lumenrail system.



Not all options apply to all products, please verify compatibility with the factory.

@wagnercompanies

WAGNER Architectural Systems

888-243-6914 // rfq@mailwagner.com
10600 West Brown Deer Road // Milwaukee, WI 53224, USA

© 2020 R&B Wagner, Inc. All Rights Reserved.
WagnerArchitectural.com
LUSY GUIDE R3